

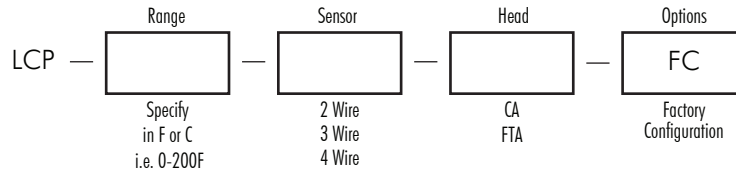
Programmable - Type LCP



SPECIFICATIONS: Type LCP

Input RTD	RTD 2,3, or 4 Wire
	Pt100 ($\alpha=0.00385$)
Sensor Failure	Upscale
Output	4-20 mA
Operating Temperature	-40 to +185 F
Galvanic Isolation	NO
Power Supply	8.5 to 30 VDC
Intrinsic Safety	FM: Class I, Div. 1, Gr. A-D
Accuracy at 23°C	+/-0.1% of span
Linearization	Temperature Linear Output

TO ORDER:

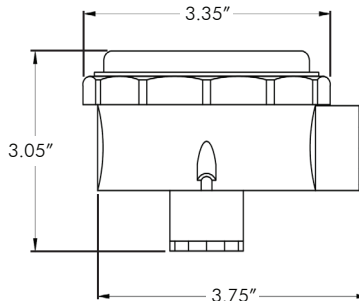


Loop Powered Indicator - Option LPI, LPIX

Display	4 Digit LED
Power	Loop Powered
Loop Drop	<4.0 V @ 20 mA
Input Range	4-20mA Input -1999 to 9999 DP

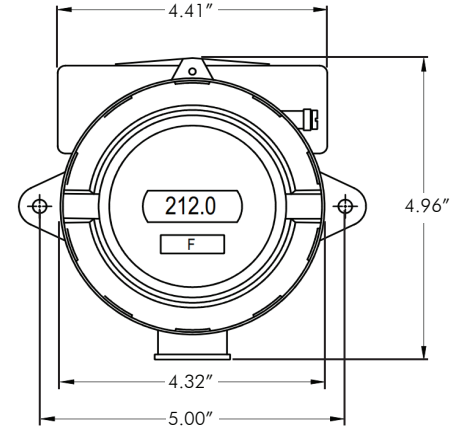
LPI

NEMA 4X
IP67



LPIX

FM - CSA - ATEX
Class I Groups A,B,C,D
Class II Groups E,F,G
NEMA 4X (Blue Epoxy Coated)

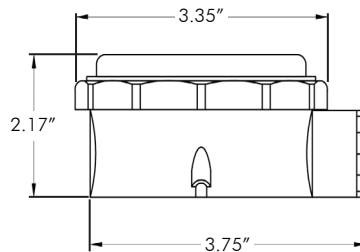


Battery Powered Indicator - Option BPI, BPIX

Display	4 Digit LCD Menu Selectable: RTD/TC Type
Battery	Single AA size Lithium Thionyl Chloride 3.6V
Power	Life 3 years minimum
Input Accuracy	Pt100 0.30 F +/- 0.1% Rdg
Input Accuracy	K, J, E (other calibrations available) +/- 0.1% FS +/- 0.9 F

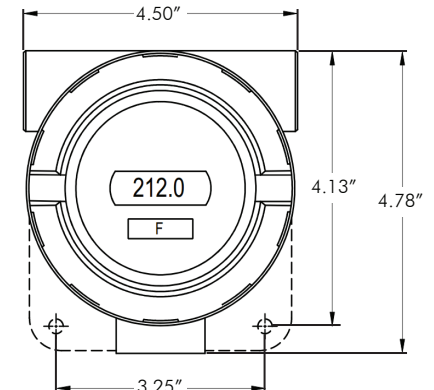
BPI

NEMA 4X
IP67



BPIX

FM - CSA - ATEX
Class I Groups A,B,C,D
Class II Groups E,F,G
NEMA 4X (Blue Epoxy Coated)



RANGES:

Type	Range (C)	Range (F)
K	-200 to 1370	-328 to 2498
J	-200 to 1200	-328 to 2192
E	-200 to 1000	-328 to 1832
Pt100	-200 to 850	-328 to 1562